

Showcases

Showcases





- Tower Showcase Single Door
- Tower Showcase Single Door with Cupboard
- Tower Showcase Double Door
- Tower Showcase Double Door with Cupboard
- Counter Showcase
- Counter Showcase with Cupboard
- Counter Showcase for Wall

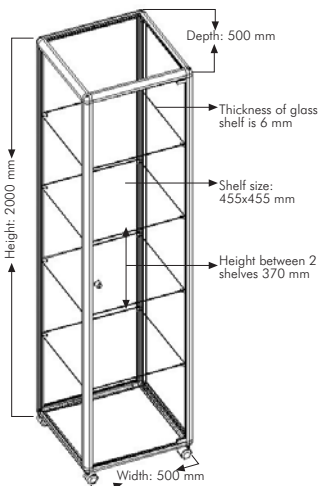
Tower Showcase Single Door

Silver anodised aluminium body. Chrome plated metal corners. One complete piece of glass door. Lockable wheels are standard. Adjustable shelf location. Glass door thickness is 6 mm, glass wall thickness is 4 mm. Some optional specs are tampered glass and lighting; for these optional specs please contact your sales executive to create the product that suits your need.



 Max.load weight of each shelf is 40 kg. Lighting & tampered glass is optional. Product come, standard with wheels & keys of single variation.

 Please handle with care and in upside position during transportation.



MATERIAL : Silver anodised aluminium		
ARTICLE	WEIGHT WITH PACKING	PACKING SIZE *W X H X D
USCKT01000	110,000 kg	550 X 550 X 2150 mm


*W:Width H: Height D: Depth


Tailor-made design.

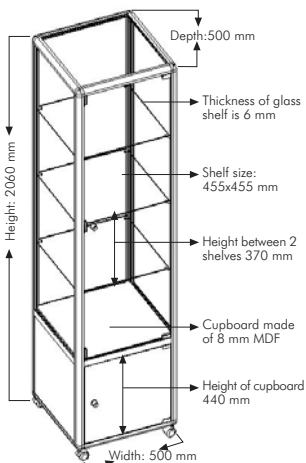


Silver anodised aluminium body. Chrome plated metal corners. One complete piece of glass door. Lockable wheels are standard. Adjustable shelf location. Glass door thickness is 6 mm, glass wall thickness is 4 mm. Some optional specs are tempered glass and lighting; for these optional specs please contact your sales executive to create the product that suits your need.



 Max. load weight of each shelf is 40 kg. Lighting & tempered glass is optional. Product come, standard with wheels & keys of single variation.

 Please handle with care and in upside position during transportation.



MATERIAL : Silver anodised aluminium

ARTICLE	WEIGHT WITH PACKING	PACKING SIZE *W X H X D
USCKT02000	110,000 kg	550 X 550 X 2220 mm


*W:Width H: Height D: Depth




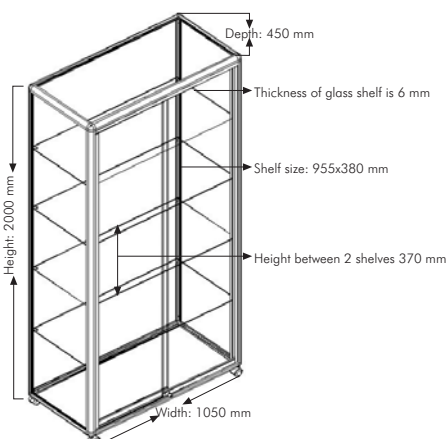
Tower Showcase Double Door

Silver anodised aluminium body. Chrome plated metal corners. One complete piece of glass door. Lockable wheels are standard. Adjustable shelf location. Glass door thickness is 6 mm, glass wall thickness is 4 mm. Some optional specs are tampered glass and lighting; for these optional specs please contact your sales executive to create the product that suits your need.



 Max.load weight of each shelf is 25 kg. Lighting & tempered glass is optional. Product come, standard with wheels & keys of single variation.

 Please handle with care and in upside position during transportation.




MATERIAL : Silver anodised aluminium		
ARTICLE	WEIGHT WITH PACKING	PACKING SIZE *W X H X D
USCKC01000	115,000 kg	1070 X 550 X 2150 mm


*W:Width H: Height D: Depth

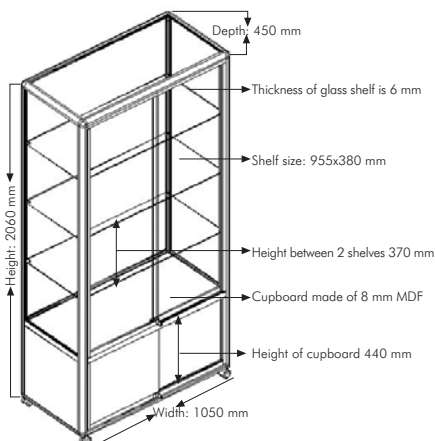


Silver anodised aluminium body. Chrome plated metal corners. One complete piece of glass door. Lockable wheels are standard. Adjustable shelf location. Glass door thickness is 6 mm, glass wall thickness is 4 mm. Some optional specs are tampered glass and lighting; for these optional specs please contact your sales executive to create the product that suits your need.



 Max. load weight of each shelf is 25 kg. Lighting & tempered glass is optional. Product come, standard with wheels & keys of single variation.

 Please handle with care and in upside position during transportation.



MATERIAL : Silver anodised aluminium		
	WEIGHT	PACKING SIZE
ARTICLE	WITH PACKING	*W X H X D
USCKC02000	115,000 kg	1070 X 550 X 2220 mm


*W:Width H: Height D: Depth




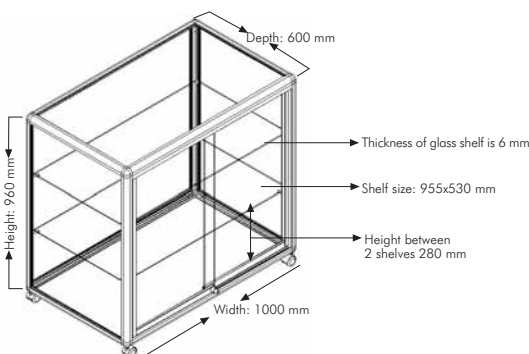
Counter Showcase

Silver anodised aluminium body. Chrome plated metal corners. One complete piece of glass door. Lockable wheels are standard. Adjustable shelf location. Glass door thickness is 6 mm, glass wall thickness is 4 mm. Some optional specs are tempered glass and lighting; for these optional specs please contact your sales executive to create the product that suits your need.



 Max.load weight of each shelf is 25 kg. Lighting & tempered glass is optional. Product come, standard with wheels & keys of single variation.

 Please handle with care and in upside position during transportation.




MATERIAL : Silver anodised aluminium		
ARTICLE	WEIGHT WITH PACKING	PACKING SIZE *W X H X D
USCB001000	105,000 kg	1070 X 670 X 1120 mm


*W:Width H: Height D: Depth

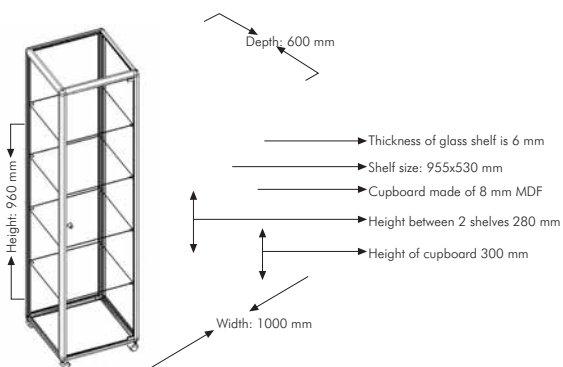


Silver anodised aluminium body. Chrome plated metal corners. One complete piece of glass door. Lockable wheels are standard. Adjustable shelf location. Glass door thickness is 6 mm, glass wall thickness is 4 mm. Some optional specs are tempered glass and lighting; for these optional specs please contact your sales executive to create the product that suits your need.



 Max.load weight of each shelf is 25 kg. Lighting & tempered glass is optional. Product come, standard with wheels & keys of single variation.

 Please handle with care and in upside position during transportation.



MATERIAL : Silver anodised aluminium		
ARTICLE	WEIGHT WITH PACKING	PACKING SIZE *W X H X D
USCB002000	115,000 kg	1070 X 670 X 1120 mm


*W:Width H: Height D: Depth




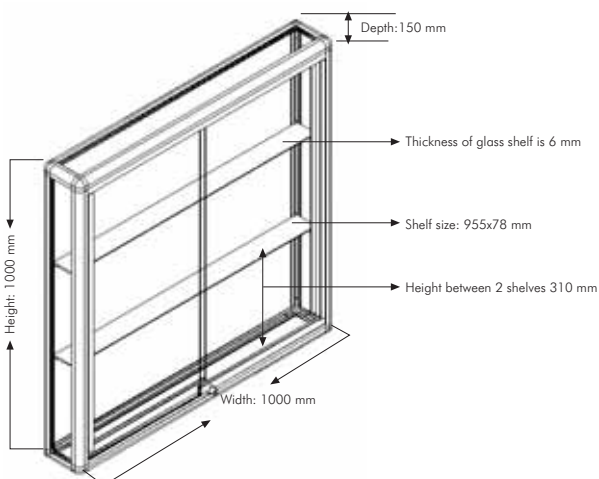
Counter Showcase for Wall

Silver anodised aluminium body. Chrome plated metal corners. One complete piece of glass door. Adjustable shelf location. Glass door thickness is 6 mm, glass wall thickness is 4 mm. Some optional specs are tampered glass and lighting; for these optional specs please contact your sales executive to create the product that suits your need.



 Lighting & tampered glass is optional. Product come standard with wheels & keys of single variation.

 Please handle with care and in upside position during transportation.



MATERIAL : Silver anodised aluminium		
ARTICLE	WEIGHT WITH PACKING	PACKING SIZE *W X H X D
USCD001000	105,000 kg	1100 X 240 X 1100 mm

*W:Width H: Height D: Depth

