

# Counter Displays



- Panset Counter
  - Hexagonal
  - Convex
- Promostand

# Panset Hexagonal Counter

Panset counters are ideal products of light & compact structure, they can be carried to different locations and used over many times. It is easy and fast in assembly. Different models offer you a choice that you find most convenient for your need.

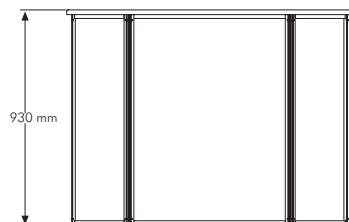
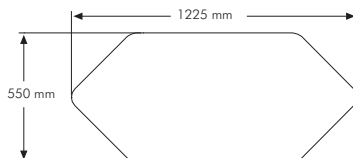


After the panels are assembled, due to the fitting of panels inside the construction, the visual area is 0,5 cm smaller on all sides.

! Please first fix the shelf and then the top plate. Black textile carry bag is optional.



BAG  
UYUP074100





MATERIAL : Silver anodised aluminium FON : Forex				WEIGHT	PACKING SIZE
ARTICLE	MODEL	PANEL	QUANTITY	WITH PACKING	*W X H X D
UPSM001000	Hexagonal	878 X 659 mm	1	21,500 kg	720 X 1270 X 130 mm
		878 X 311 mm	4		
UPSM007000	Wood Hexagonal	878 X 659 mm	1	23,500 kg	720 X 1270 X 130 mm
		878 X 311 mm	4		

\* W:Width H: Height D: Depth

Panset counters are ideal products of light & compact structure, they can be carried to different locations and used over many times. It is easy and fast in assembly. Different models offer you a choice that you find most convenient for your need.

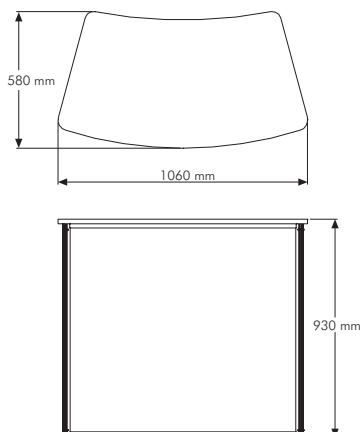


 After the panels are assembled, due to the fitting of panels inside the construction, the visual area is 0,5 cm smaller on all sides.

 Please first fix the shelf and then the top plate. Black textile carry bag is optional.



**BAG**  
UYUP074000



MATERIAL : Silver anodised aluminium FON : Forex				WEIGHT	PACKING SIZE
ARTICLE	MODEL	PANEL	QUANTITY	WITH PACKING	*W X H X D
UPSM002000	Convex	878 X 980 mm	1	20,000 kg	950 X 1180 X 140 mm
		878 X 430 mm	2		
UPSM008000	Wood Convex	878 X 980 mm	1	22,050 kg	950 X 1180 X 140 mm
		878 X 430 mm	2		

\* W:Width H: Height D: Depth

This simple counter is suitable for exhibition, demonstration and other kinds of presentation. Produced in white plastic material, ready for any kind of decoration. Foldable and easy to transport and mount. Delivered with carrybag. We use powder coated steel pipes to hold 3 mm thick header panel made by PVC foam.

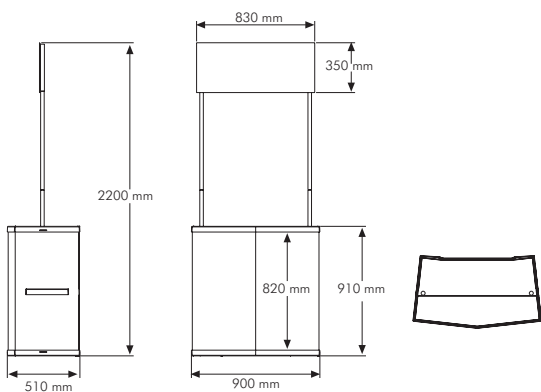


**BAG**  
UYUP072200



Product is packed unasssembled.

**!** After the front panel is assembled due to fitting of panels inside the plastic construction, the visual area is 4 cm smaller on top & bottom ends. Thickness of front panel is 3,5 mm. Thickness of counter & shelves is 3 mm.



MATERIAL : Plastic				WEIGHT	PACKING SIZE
ARTICLE	DESCRIPTION	PANEL SIZE	COPY SIZE		*W X H X D
UTSO0N5000	Without bag	2004 X 900 mm	1975 X 820 mm	13,600 kg	550 X 950 X 160 mm
UTSO0N5100	With bag	2004 X 900 mm	1975 X 820 mm	14,100 kg	550 X 950 X 160 mm

\* W:Width H: Height D: Depth