

Banners

Banners




- Quick Banner Single Sided
- Quick Banner Double Sided
- Adjustable Quick Banner
- Newage Quick Banner
- Smart Roll Banner Single Sided
- Smart Roll Banner Double Sided
- Cross Single Banner
- Single Banner
- Eco-Roller





Quick Banner (Single Sided)

Quick banner display is a flexible and mobile poster clamp that is designed as a practical set that can be carried to conventions or exhibitions within its bag. This set does not require a wall to be mounted or a ceiling to be suspended.



 Packed with an easy mounting instruction sheet.

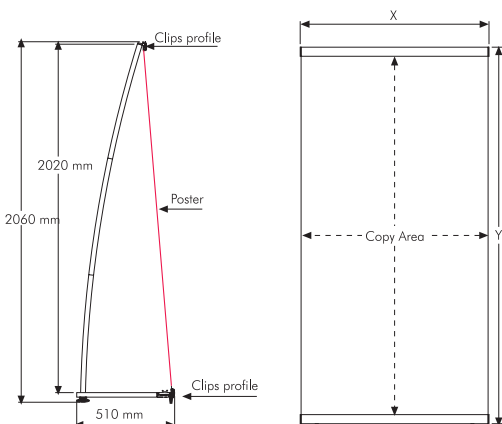
 Lighting accessories are not included in the original pack.

 All banner lamps are CE/UL Pat tested. Black carry bag should be ordered separate.



Patent Pending
TR 2006 00096
PCT/TR 2006/000015

Patent Pending
TR 2005 01772



BAG		PACKING SIZE
ARTICLE	MODEL	*W X H X D
UYUP066000	800 mm	160 X 860 X 145 mm
UYUP067000	1000 mm	160 X 1060 X 145 mm


MATERIAL : Silver anodised aluminium				WEIGHT	PACKING SIZE (10 pcs)
ARTICLE	EXTERNAL (x-y)	POSTER	COPY	WITH PACKING	*W X H X D
UQB0TO0N72	706 X 2030 mm	700 X 2000 mm	700 X 1970 mm	14,600 kg	380 X 860 X 145 mm
UQB0TO0N82	806 X 2030 mm	800 X 2000 mm	800 X 1970 mm	15,600 kg	380 X 860 X 145 mm
UQB0TO0N92	906 X 2030 mm	900 X 2000 mm	900 X 1970 mm	16,400 kg	380 X 1060 X 145 mm
UQB0TO0N12	1006 X 2030 mm	1000 X 2000 mm	1000 X 1970 mm	17,200 kg	380 X 1060 X 145 mm





* W:Width H: Height D: Depth

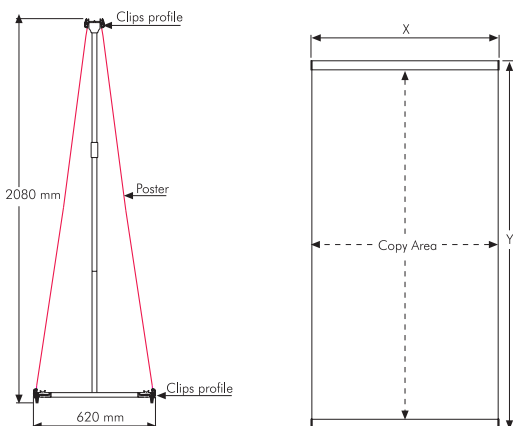
Quick banner display is a flexible and mobile poster clamp that is designed as a practical set that can be carried to conventions or exhibitions within its bag. This set does not require a wall to be mounted or a ceiling to be suspended.



 Packed with an easy mounting instruction sheet.

 Lighting accessories are not included in the original pack.

 All banner lamps are CE/UL Pat tested. Black carry bag should be ordered separate.



MATERIAL : Silver anodised aluminium				WEIGHT	PACKING SIZE (10 pcs)
ARTICLE	EXTERNAL (x-y)	POSTER	COPY	WITH PACKING	*W X H X D
UQB0CO0N72	706 X 2030 mm	700 X 2000 mm	700 X 1970 mm	21,200 kg	380 X 860 X 175 mm
UQB0CO0N82	806 X 2030 mm	800 X 2000 mm	800 X 1970 mm	23,300 kg	380 X 860 X 175 mm
UQB0CO0N92	906 X 2030 mm	900 X 2000 mm	900 X 1970 mm	25,950 kg	380 X 1060 X 175 mm
UQB0CO0N12	1006 X 2030 mm	1000 X 2000 mm	1000 X 1970 mm	26,800 kg	380 X 1060 X 175 mm





* W:Width H: Height D: Depth

Adjustable Quick Banner

Adjustable Quick banner display is flexible in height mobile poster clamp that is designed as a practical set that can be carried to conventions or exhibitions within its bag. Standart height is min. 1900 mm and max. 2200 mm. In cases when required height can be manufactured to be adjusted min. 1600 mm and max. 1900 mm.

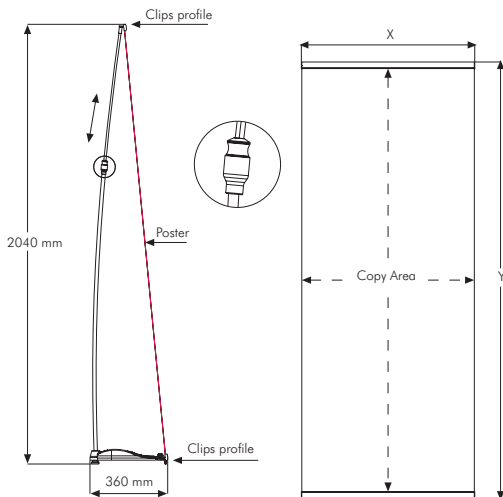


 Packed with an easy mounting instruction sheet.

 Lighting accessories & black carry bag should be ordered seperate.



Patent Pending
TR 2006 01952
PCT/TR 2006/000065
DE 20 2006 020 147



BAG		PACKING SIZE
ARTICLE	MODEL	*W X H X D
UYUPO66000	800 mm	160 X 860 X 160 mm
UYUPO67000	1000 mm	160 X 1060 X 160 mm


MATERIAL : Silver anodised aluminium				WEIGHT	PACKING SIZE (10 pcs)
ARTICLE	EXTERNAL (x-y)	POSTER	COPY	WITH PACKING	*W X H X D
UQBATO1N72	706 X 2030 mm	700 mm	700 X 1970 mm	23,200 kg	380 X 860 X 145 mm
UQBATO1N82	806 X 2030 mm	800 mm	800 X 1970 mm	24,000 kg	380 X 860 X 145 mm
UQBATO1N92	906 X 2030 mm	900 mm	900 X 1970 mm	24,800 kg	380 X 1060 X 145 mm
UQBATO1N12	1006 X 2030 mm	1000 mm	1000 X 1970 mm	25,600 kg	380 X 1060 X 145 mm





* W:Width H: Height D: Depth

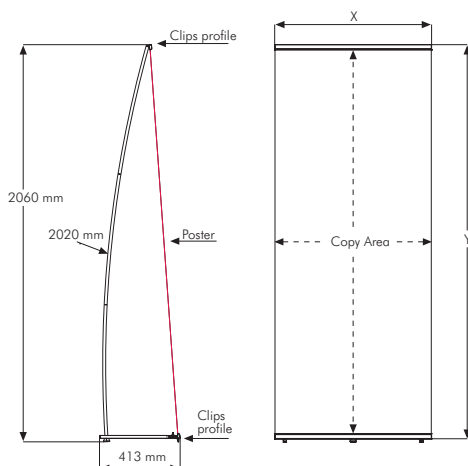
A new serie of Quick Banner display just created that offers competitive deals. Suitable to hold banners in thickness 50 micron / 500 micron. Newage Quicke Banner is a flexible and mobile set that can be carried to conventions or exhibitions within its bag.



 In top clamp 10 mm poster and in bottom clamp 10 mm poster is placed within the clamping system. Turning end caps help sliding the poster-in.

 No tool assembly. Lighting accessories are not included in the original pack.

 Product is not recommended to be used in special sizes wider then 1000 mm and longer then 2000 mm. Black carry bag should be ordered extra.

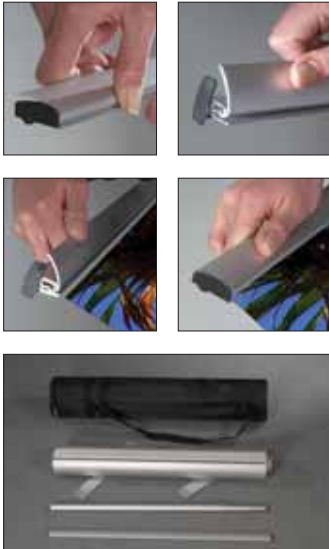


MATERIAL : Silver anodised aluminium				WEIGHT	PACKING SIZE (10 pcs)
ARTICLE	EXTERNAL (x-y)	POSTER	COPY	WITH PACKING	*W X H X D
UQBETOON62	603 X 2030 mm	600 X 2000 mm	600 X 1980 mm	9,600 kg	380 X 860 X 145 mm
UQBETOON72	703 X 2030 mm	700 X 2000 mm	700 X 1980 mm	10,200 kg	380 X 860 X 145 mm
UQBETOON82	803 X 2030 mm	800 X 2000 mm	800 X 1980 mm	10,800 kg	380 X 860 X 145 mm
UQBETOON92	903 X 2030 mm	900 X 2000 mm	900 X 1980 mm	11,500 kg	380 X 1060 X 145 mm
UQBETOON12	1003 X 2030 mm	1000 X 2000 mm	1000 X 1980 mm	12,200 kg	380 X 1060 X 145 mm


* W:Width H: Height D: Depth

Smart Roll Banner (Single Sided)


Roll Banner display which can be carried, including the art work printed, in its carry bag. The aluminium case is silver eloxiert. Three sizes are available as standard. When assembled, it stands at min.1000 mm, max.2300 mm high. It has a unique telescopic pipe.

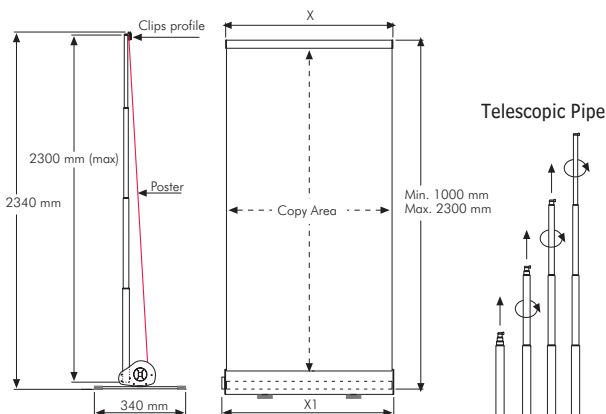


Patent Pending
PCT/TR 2005/000044
EP 05801071
DE 20 2004 021 229

 Product comes ready to roll-up included into black carry bag.

 Has unique adjustable telescopic pipe.

 Please do not loosen the mechanism when the printing is assembled on the top position. Lighting accessories are not included.



MATERIAL : Silver anodised aluminium					WEIGHT	PACKING SIZE
ARTICLE	EXTERNAL (x)	X1	POSTER	COPY	WITH PACKING	*W X H X D
URBSTOON82	806 mm	830 mm	800 mm	800 X 1930 mm	6,750 kg	190 X 910 X 190 mm
URBSTOON92	906 mm	930 mm	900 mm	900 X 1930 mm	7,500 kg	190 X 1120 X 190 mm
URBSTOON12	1006 mm	1030 mm	1000 mm	1000 X 1930 mm	8,500 kg	190 X 1120 X 190 mm



* W:Width H: Height D: Depth

Roll Banner display which can be carried, including the art work printed, in its carry bag. The aluminium case is silver eloxiert. Three sizes are available as standard. When assembled, it stands at min.1000 mm, max.2300 mm high. It has a unique telescopic pipe.

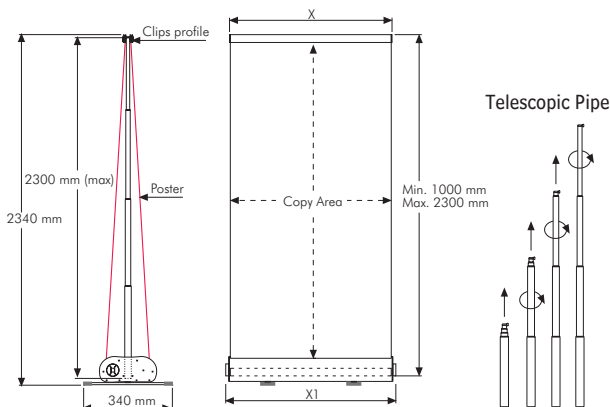


Product comes ready to roll-up

Has unique adjustable telescopic pipe.

Please do not loosen the mechanism when the printing is assembled on the top position. Lighting accessories are not included. Black carry bag should be ordered separate.

Patent Pending
PCT/TR 2005/000044
EP 05801071
DE 20 2004 021 229



WEIGHT		PACKING SIZE		BAG		PACKING SIZE	
WITH BAG&PACKING		*W X H X D		ARTICLE	MODEL	*W X H X D	
10,500 kg		300 X 920 X 140 mm		UYUP070000	800 mm	300 X 920 X 140 mm	
12,500 kg		300 X 1120 X 140 mm		UYUP071000	1000 mm	300 X 1120 X 140 mm	
13,500 kg		300 X 1120 X 140 mm					

MATERIAL : Silver anodised aluminium					WEIGHT		PACKING SIZE	
ARTICLE	EXTERNAL (x)	X1	POSTER	COPY	WITH PACKING	*W X H X D		
URBSCOON82	806 mm	850 mm	800 mm	800 X 1930 mm	8,600 kg	240 X 880 X 130 mm		
URBSCOON92	906 mm	950 mm	900 mm	900 X 1930 mm	9,300 kg	240 X 1080 X 130 mm		
URBSCOON12	1006 mm	1050 mm	1000 mm	1000 X 1930 mm	10,000 kg	240 X 1080 X 130 mm		






* W:Width H: Height D: Depth

Cross Single Banner

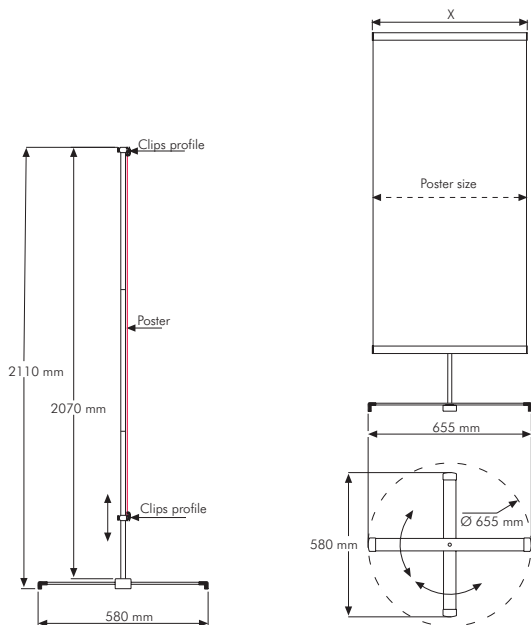
The poster's height is flexible, can be adjusted up to 2 meters.



-  Product comes unassembled, packed with an easy mounting instruction sheet.
-  Suggested up to 1000 mm width banners & less. Stainless aluminium legs are suitable for public space.
-  Black carry bag should be ordered separate.



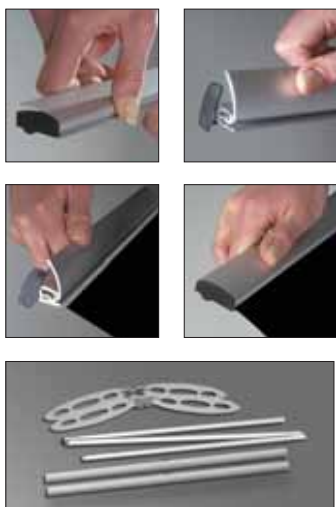
BAG	
ARTICLE	SIZE
UYUP066000	880 mm
UYUP067000	1080 mm






MATERIAL : Silver anodised aluminium			WEIGHT	PACKING SIZE (10 pcs)
ARTICLE	POSTER	X	WITH PACKING	*W X H X D
USBC000N62	600 X max. 2000 mm	606 mm	24,700 kg	380 X 860 X 175 mm
USBC000N72	700 X max. 2000 mm	706 mm	25,300 kg	380 X 860 X 175 mm
USBC000N82	800 X max. 2000 mm	806 mm	26,200 kg	380 X 860 X 175 mm

*W:Width H: Height D: Depth

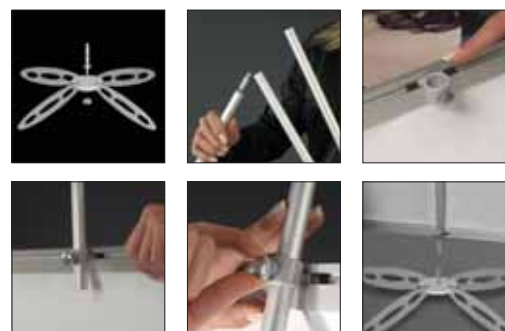
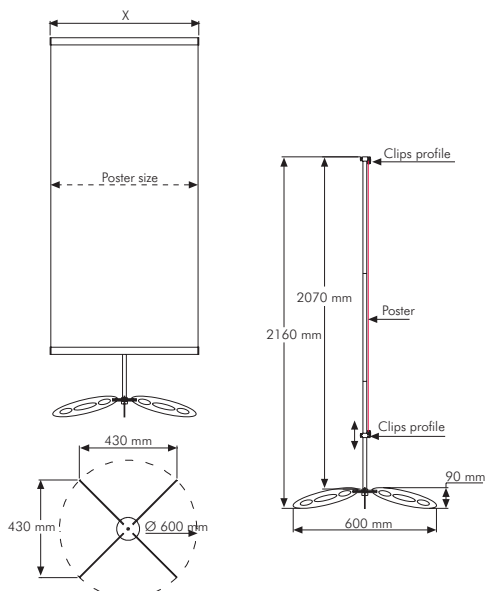
The poster's height is flexible, can be adjusted up to 2 meters.



-  Product comes unassembled, packed with an easy mounting instruction sheet.
-  Stainless aluminium legs are suitable for public space.
-  Black carry bag should be ordered separate.



BAG	
ARTICLE	SIZE
UYUP066000	880 mm
UYUP067000	1080 mm






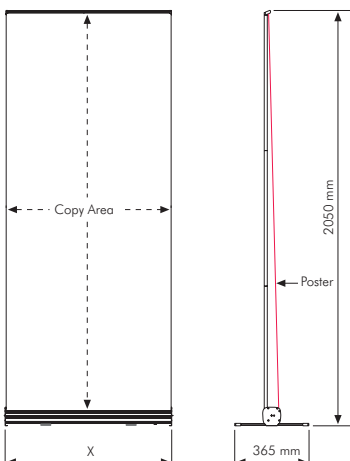
MATERIAL : Silver anodised aluminium			WEIGHT	PACKING SIZE (10 pcs)
ARTICLE	POSTER	X	WITH PACKING	*W X H X D
USBN000N62	600 X max. 2000 mm	606 mm	18,800 kg	380 X 860 X 195 mm
USBN000N72	700 X max. 2000 mm	706 mm	19,800 kg	380 X 860 X 195 mm
USBN000N82	800 X max. 2000 mm	806 mm	20,800 kg	380 X 860 X 195 mm

* W:Width H: Height D: Depth

The rolling cylinder comes ready at the point available to place-in the art work, after the placement of the art work, the cylinder runs immediately once the pin in one end is off. The rolling cylinder can be set up and stretched in the required tightness.



-  Product comes unassembled, packed with an easy mounting instruction sheet.
-  Stainless aluminium legs are suitable for public space.
-  Black carry bag should be ordered separate.



MATERIAL : Silver anodised aluminium				WEIGHT	PACKING SIZE
ARTICLE	POSTER	COPY	X	WITH PACKING	*W X H X D
URBETO0N82	800 X 2000m	800 X 1970 mm	820 mm	2,460 kg	110 X 860 X 110 mm
URBETO0N12	1000 X 2000 mm	1000 X 1970 mm	1020 mm	2,900 kg	110 X 1060 X 110 mm

* W:Width H: Height D: Depth