

Menuboards

Menuboards



- Flexible Menuboard
- Double Leg Classical Menuboard
- Classical Menuboard
- Decorative Menuboard
- Adjustable Menuboard
- Telescopic Menuboard

Flexible Menuboard

Genuine Design, One product, Multi function.
 With our new designed product, we'd like to bring a new dimension of performance in menuboards. Flexible Menuboard is in multi functional service of height and paper position application with variety of standing angles at the back. The height of the unit, landscape/portrait positioning or even eye catching view angle is flexible. The product is protected in world with all required patent and design applications and already certified with DE (Germany), FR(France), US (United States of America), JP (Japan) and OHIM (European union) papers. PCT worldwide patent is pending.

**One product, two positions
 (landscape&portrait)**

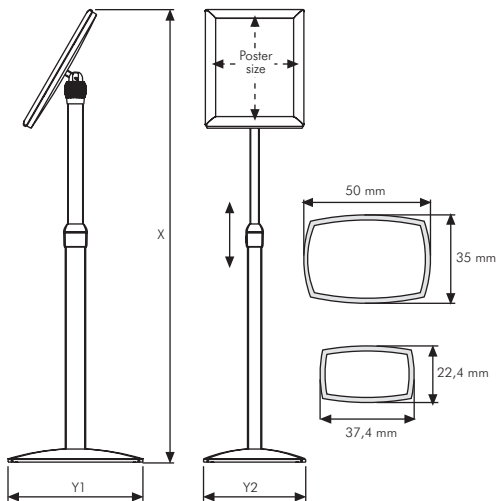
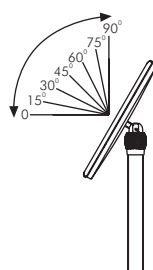


Packed unassembled with an easy instruction sheet.

Heavy convex base provide stability in traffic areas.

Patent Pending
 TR 2007 06354
 PCT/TR 2007/000131
 DE 20 2007 016 574
 OHIM 000748223

FR 760305
 US 29/295.750
 JP 2007-022472
 CN 200730321542
 CN 200730321543



MATERIAL : Silver anodised aluminium							WEIGHT	PACKING SIZE
ARTICLE	X max.	X min.	Y1	Y2	POSTER	DESCRIPTION	WITH PACKING	*W X H X D
UDMB6005A4	1205 mm	865 mm	330 mm	250 mm	297 X 210 mm	Landscape	5,165 kg	285 X 1030 X 102 mm
	1250 mm	910 mm	330 mm	250 mm	210 X 297 mm	Portrait	5,165 kg	285 X 1030 X 102 mm
UDMB6005A3	1250 mm	910 mm	420 mm	300 mm	420 X 297 mm	Landscape	6,745 kg	365 X 1110 X 102 mm
	1310 mm	970 mm	420 mm	300 mm	297 X 420 mm	Portrait	6,745 kg	365 X 1110 X 102 mm




* W:Width H: Height D: Depth


Genuine Design, One product, 2 positions.
 With our new designed product, we'd like to bring a new dimension of performance in menuboards.
 Flexible Menuboard is in multi functional service of paper position application with variety of standing angles at the back. Landscape/portrait positioning or even eye catching view angle is flexible. The product is protected in world with all required patent and design applications and already certified with DE (Germany), FR(France), US (United States of America), JP (Japan) and OHIM (European union) papers. PCT worldwide patent is pending.



**One product, two positions
 (landscape&portrait)**

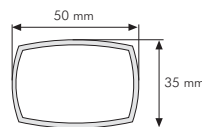
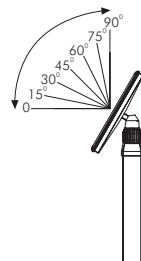
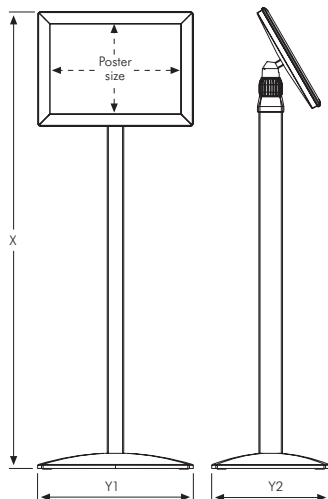


 Packed unassembled with an easy instruction sheet.

 Heavy convex base provide stability in traffic areas.

Patent Pending
 TR 2007 06354
 PCT/TR 2007/000131
 DE 20 2007 016 574
 OHIM 000748223

FR 760305
 US 29/295.750
 JP 2007-022472
 CN 200730321542
 CN 200730321543



MATERIAL : Silver anodised aluminium						WEIGHT	PACKING SIZE
ARTICLE	X	Y1	Y2	POSTER	DESCRIPTION	WITH PACKING	*W X H X D
UDMB7005A4	967 mm	330 mm	250 mm	297 X 210 mm	Landscape	5,165 kg	285 X 1030 X 102 mm
	1010 mm	330 mm	250 mm	210 X 297 mm	Portrait	5,165 kg	285 X 1030 X 102 mm
UDMB7005A3	1014 mm	420 mm	300 mm	420 X 297 mm	Landscape	6,745 kg	365 X 1110 X 102 mm
	1076 mm	420 mm	300 mm	297 X 420 mm	Portrait	6,745 kg	365 X 1110 X 102 mm






* W:Width H: Height D: Depth

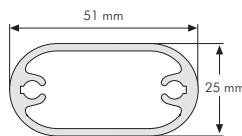
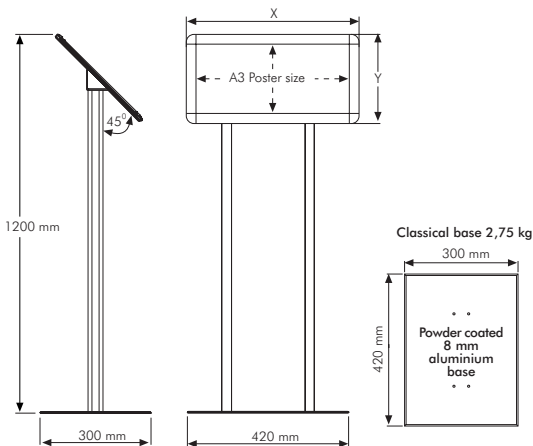
Double Leg Classical Menuboard

Menuboard with a sight angle that catch the eye level.
 Double leg menuboard, A3 poster size landscape frame can be both mitred & round corner silver anodised legs & aluminium base. Height of this model is always 1200 mm.



50

-  Menuboards are packed unassembled with an easy mounting instruction sheet & fixing elements.
-  Suitable for wet floors, stainless aluminium base.
-  Comes standard in landscape position.




MATERIAL : Silver anodised aluminium				WEIGHT	PACKING SIZE
PROFILE : 25 mm 45° - 25 mm round					
ARTICLE	EXTERNAL (x-y)	COPY	DESCRIPTION	WITH PACKING	*W X H X D
UCMB12Y0A3	327 X 450 mm	279 X 402 mm	A3 round and landscape	7,400 kg	380 X 1020 X 50 mm
UCMB12Y5A3	327 X 450 mm	279 X 402 mm	A3 mitred and landscape	7,400 kg	380 X 1020 X 50 mm


* W: Width H: Height D: Depth

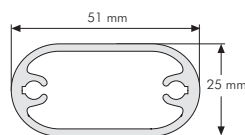
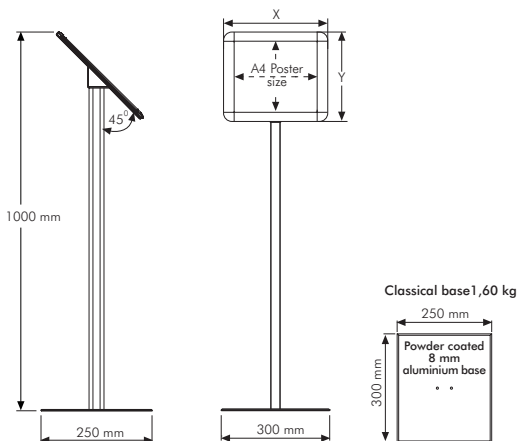


Menuboard with a sight angle that catch the eye level. Available in A3 and A4 sizes both in landscape & portrait positions. Height of this model is always 1000 mm.



 Menuboards are packed unassembled with an easy mounting instruction sheet & fixing elements.

 Suitable for wet floors, stainless aluminium base.



MATERIAL : Silver anodised aluminium				
PROFILE : 25 mm 45° - 25 mm round				
MITRED ARTICLE	ROUND ARTICLE	EXTERNAL (x-y)	COPY	DESCRIPTION
UCMB11Y5A4	UCMB11Y0A4	327 X 240 mm	279 X 192 mm	A4 landscape
UCMB11D5A4	UCMB11D0A4	240 X 327 mm	192 X 279 mm	A4 portrait

WEIGHT	PACKING SIZE
	*W X H X D
3,350 kg	320 X 950 X 50 mm
3,350 kg	320 X 950 X 50 mm

* W:Width H: Height D: Depth



Decorative Menuboard

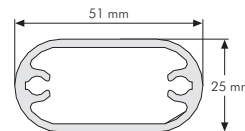
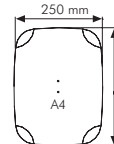
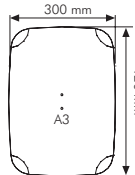
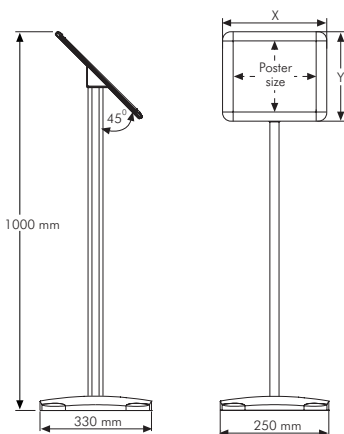
Menuboard with sight angle that catch the eye level. Decorative base provide an elegant look. Available in A4&A3 size in portrait & landscape positions. Height of A4 model is always 1000 mm. Height of A3 model is always 1200 mm.



- Menuboards are packed unassembled with an easy mounting instruction sheet & fixing elements.
- Heavy elegant base provide stability.

Decorative base powdercoated 9006 2,70 kg

Decorative base powdercoated 9006 1,62 kg




MATERIAL : Silver anodised aluminium PROFILE : 25 mm 45°						WEIGHT	PACKING SIZE
MITRED ARTICLE	ROUND ARTICLE	EXTERNAL (x-y)	POSTER	COPY	DESCRIPTION	WITH PACKING	*W X H X D
UDMB1OY5A4	UDMB1OY0A4	327 X 240 mm	297 X 210 mm	279 X 192 mm	A4 landscape	3,500 kg	320 X 950 X 50 mm
UDMB1OD5A4	UDMB1OD0A4	240 X 327 mm	210 X 297 mm	192 X 279 mm	A4 portrait	3,500 kg	320 X 950 X 50 mm
UDMB1OY5A3	UDMB1OY0A3	450 X 327 mm	420 X 297 mm	402 X 279 mm	A3 landscape	6,400 kg	380 X 1020 X 50 mm
UDMB1OD5A3	UDMB1OD0A3	327 X 450 mm	297 X 420 mm	279 X 402 mm	A3 portrait	6,400 kg	380 X 1020 X 50 mm




* W: Width H: Height D: Depth

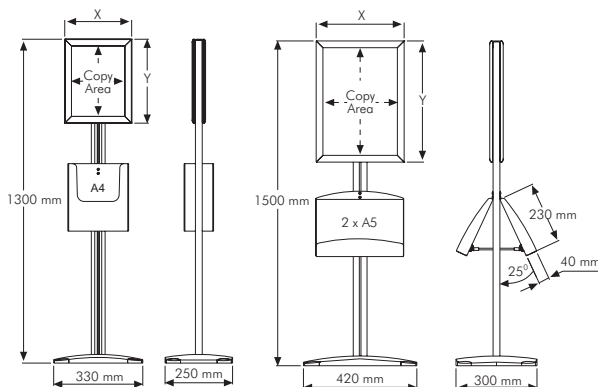
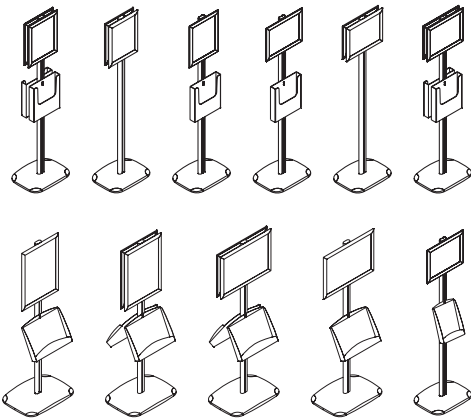
Double and single faced adjustable menuboards is an economy floor stand that can hold up to 3 frames both sided at the same time. Easy to adjust the eye level. Suitable for different sizes of posters in portrait or landscape options. Decorative base provide an elegante look. Available in A4 and A3 size in portrait & landscape positions. A4 P/L Adjustable menuboard round corner max height 1300mm. A3 P/L Adjustable menuboard round corner max height 1500mm.



 Menuboards are packed unassembled with an easy mounting instruction sheet & fixing elements.

 Comes with stabile heavy base, can offer various options.

Some possible variations



SHELF		WEIGHT		PACKING SIZE
ARTICLE	DESCRIPTION	CAPACITY	WITH PACKING	*W X H X D
UFSL002100	Steel shelf	2 X A5	1,485 kg	340 X 290 X 63 mm
UFSL003100	Acrylic shelf	2 X A5	0,890 kg	340 X 290 X 63 mm
UFSL002200	Steel shelf	1 X A4	1,165 kg	250 X 370 X 63 mm
UFSL003200	Acrylic shelf	1 X A4	0,810 kg	250 X 370 X 63 mm
UFSL003300	Acrylic shelf	1 X A4	0,610 kg	240 X 270 X 55 mm

MATERIAL : Silver anodised aluminium PROFILE : 25 mm 45°					WEIGHT	PACKING SIZE
MITRED ARTICLE	ROUND ARTICLE	EXTERNAL (x-y)	POSTER	COPY	WITH PACKING	*W X H X D
UDMB1005A4	UDMB1000A4	239 X 326 mm	210 X 297 mm	192 X 279 mm	4,250 kg	320 X 1360 X 50 mm
UDMB1005A3	UDMB1000A3	327 X 450 mm	297 X 420 mm	279 X 402 mm	7,400 kg	380 X 1560 X 50 mm






* W:Width H: Height D: Depth

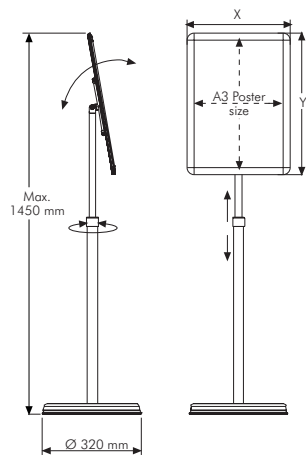
Telescopic Menuboard

Telescopic leg suits to different heights. The sight angle of the frame catch the view in different needs. Round or mitred corner options, and the anti-reflex cover are present for the snap frames of the menuboards. The height is adjustable between 1450 mm to 1000 mm.

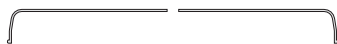


54

-  Packed unassembled with an easy mounting instruction sheet & fixing elements.
-  Heavy base provide stability.
-  Comes standard in portrait position.



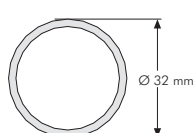
Steel base cover RAL powdercoated 9006



Marble base 6,30 kg



Iron pipe powdercoated 9006



MATERIAL : Silver anodised aluminium PROFILE : 25 mm round					WEIGHT	PACKING SIZE
ARTICLE	EXTERNAL (x-y)	COPY	MAX.HEIGHT	MIN.HEIGHT	WITH PACKING	*W X H X D
UTMBDN00A3	327 X 450 mm	279 X 402 mm	1450 mm	1000 mm	9,500 kg	380 X 1070 X 50 mm 350 X 350 X 60



* W:Width H: Height D: Depth